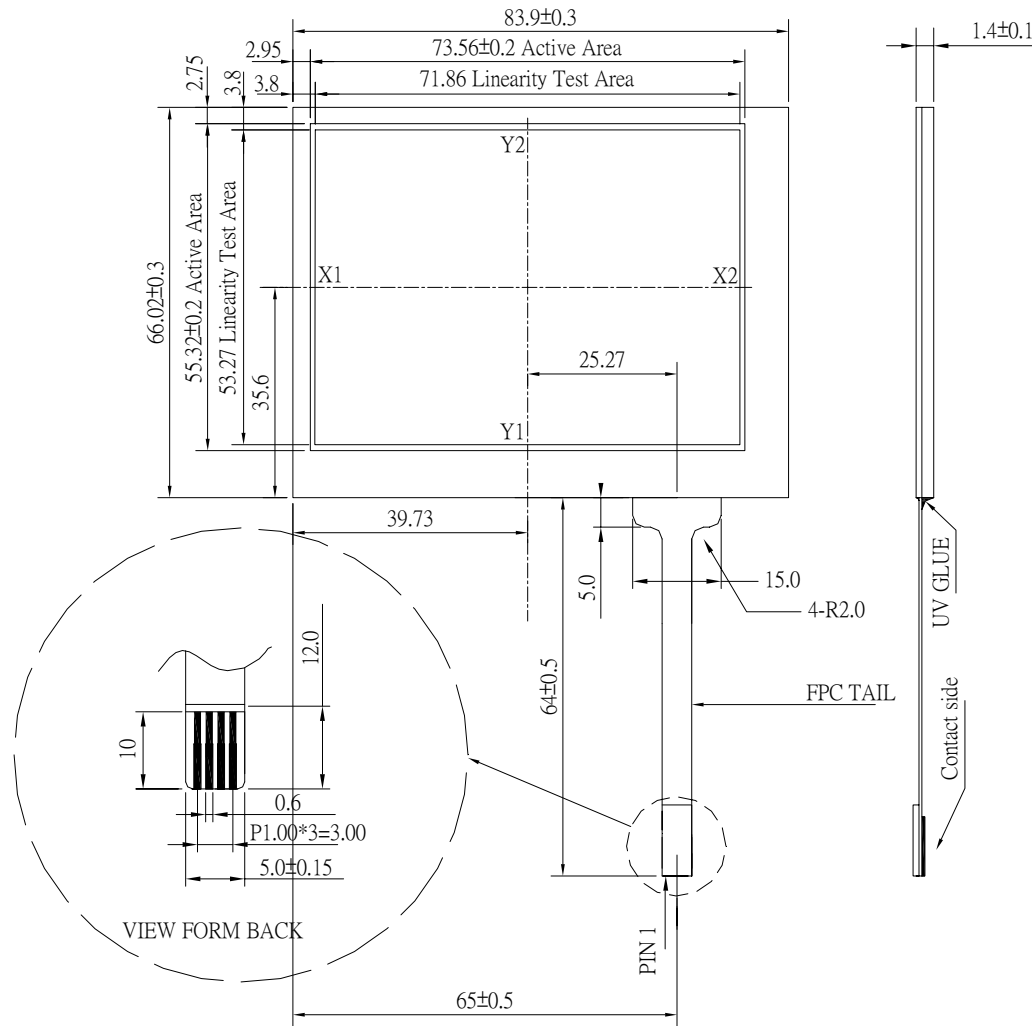


DWG No. 2K5A2701DV3



Note :

- Pin 1 : X1 (Left)
- Pin 2 : Y1 (Bottom)
- Pin 3 : X2 (Right)
- Pin 4 : Y2 (Top)

Pin Pitch : 1.0 mm

ITO Glass : 1.1 mm

Total Thickness : 1.4±0.1 mm

Faceplate Surface :Anti -glare coating

Active Area Inside Active

Active Area Outside Non-Active

品名	SE-AC8366M	製圖	Jason	良英股份有限公司 SUPER ELITE TECHNOLOGY CO., LTD	單位 : mm 公差 : ±0.5	發行日期:	10 - 27 - 2005
		確認	Cheng			變更日期:	03 - 07 - 2007

# Automobile Touch Panel Specification

SET

Page

2

## 1. Suitability

This specification suit analog resistance touch panel. which used in LCD module.

## 2. Apply To Specification

2.1.Surface Hardness : 3H ↑

2.2. Optical Clarity : 78 ~ 84 %

2.3 Operating Temperature : -40°C ~ 90°C

2.4 Storage Temperature : -40°C ~ 90°C

2.5 Thermal shock test : -40°C ~ 110°C

2.6 Operating Voltage : DC5V

2.7 Operating Current : 5mA ~ 25mA

2.8 Isolation Resistance : 20MΩ ↑ @DC25V

2.9 Linearity : ±1.5% ↓

2.10 Operation Pressure : 25 ~ 50g

2.11 Endurance Test strikes : Over 1 million

2.12 Resistance : 200Ω ~ 900Ω