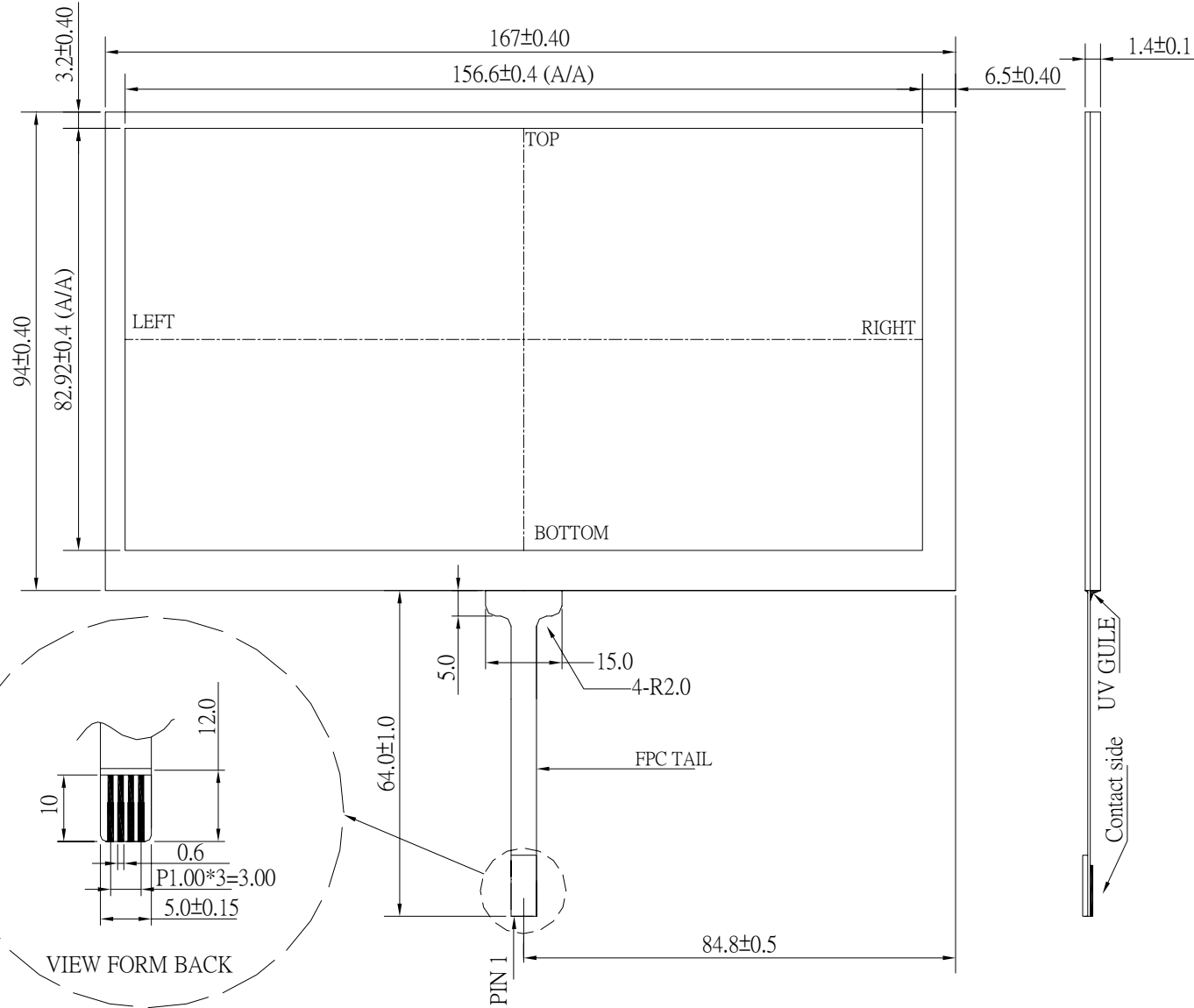


DWG No. 2K680201DV1



Note :

Pin 1 : Left

Pin 2 : Bottom

Pin 3 : Right

Pin 4 : Top

Pin Pitch : 1.0 mm

ITO Glass : 1.1 mm

Total Thickness :  $1.4 \pm 0.1$  mm

Faceplate Surface : Anti-glare coating

A/A Inside Active

A/A Outside Non-Active

品名	SE-AC16794M	製圖	Jason	良英股份有限公司 SUPER ELITE TECHNOLOGY CO., LTD	單位 : mm 公差 : $\pm 0.4$ mm	發行日期:	08 - 02 - 2006
		確認	Cheng			變更日期:	

# Automobile Touch Panel Specification

SET

Page

2

## 1. Suitability

This specification suit analog resistance touch panel. which used in LCD module.

## 2. Apply To Specification

2.1.Surface Hardness : 3H ↑

2.2. Optical Clarity : 78 ~ 84 %

2.3 Operating Temperature : -40°C ~ 80°C

2.4 Thermal shock test : -40°C ~ 110°C

2.5 Storage Temperature : -40°C ~ 85°C

2.6 Operating Voltage : DC5V

2.7 Operating Current : 5mA ~ 25mA

2.8 Isolation Resistance : 20MΩ ↑ @DC25V

2.9 Linearity : ±1.5% ↓

2.10 Operation Pressure : 25 ~ 50g

2.11 Endurance Test strikes : Over 1 million

2.12 Resistance : 150Ω ~ 1200Ω